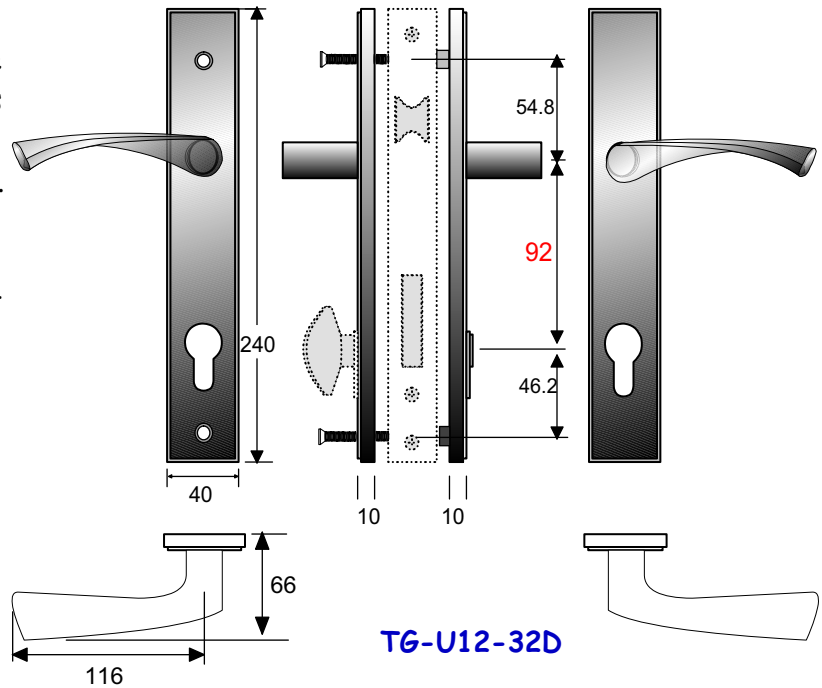


Model 'TG-U12' Trim Set for 'G' Euro Mortise Lock Case

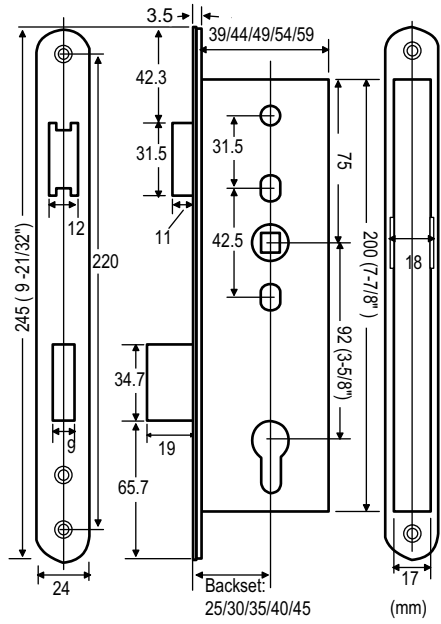
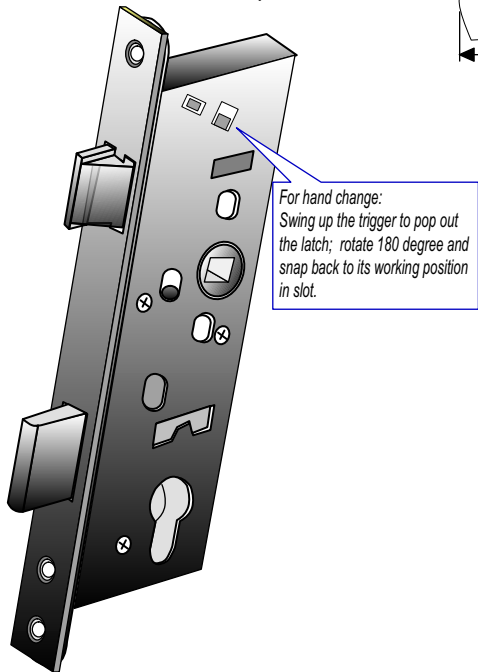
Baton model TG-U12-32D Trim Set is particularly designed to accommodate European 'G' style Mortise lock cases (see page E09, E10) that has 92mm from Lever center to Cylinder Center.

Heavy duty formed satin stainless steel escutcheon and solid investment casting stainless steel lever are constructed with detained spring cage to help the lever always in horizontal position.



T16a

Finish: US32D
Spindle size: 8mm on square



The Series G Euro Mortise Lock Case can be ordered with egress or without egress. Please see page E09, E10 for details/

Backsets:
25mm, 30mm, 35mm, 40mm, 45mm

Model Nos.	Description	Finish
TE-U12	'U' type trim set	US32D

Cylinder and 'G' Mortise lock case are separate purchase item.